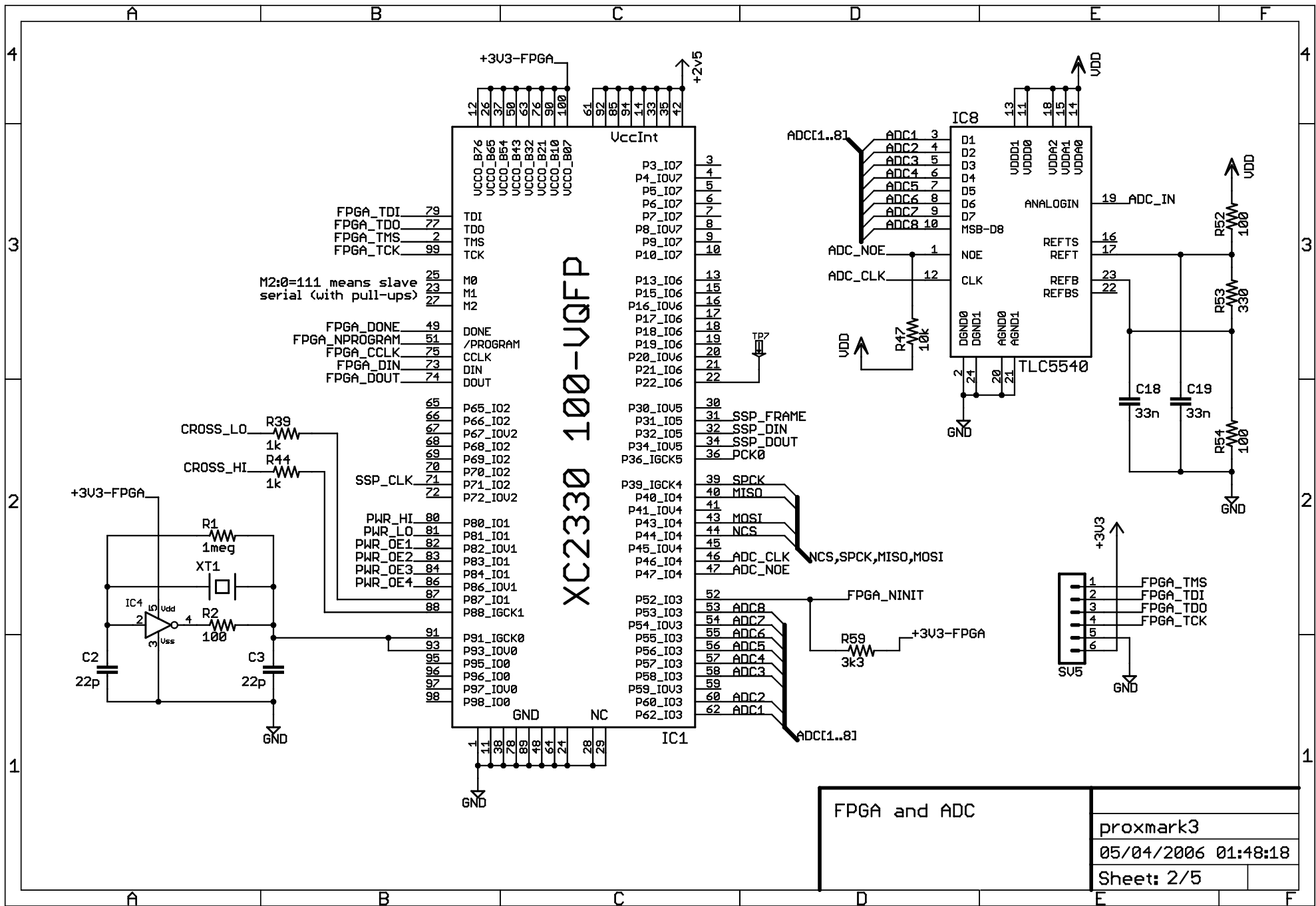
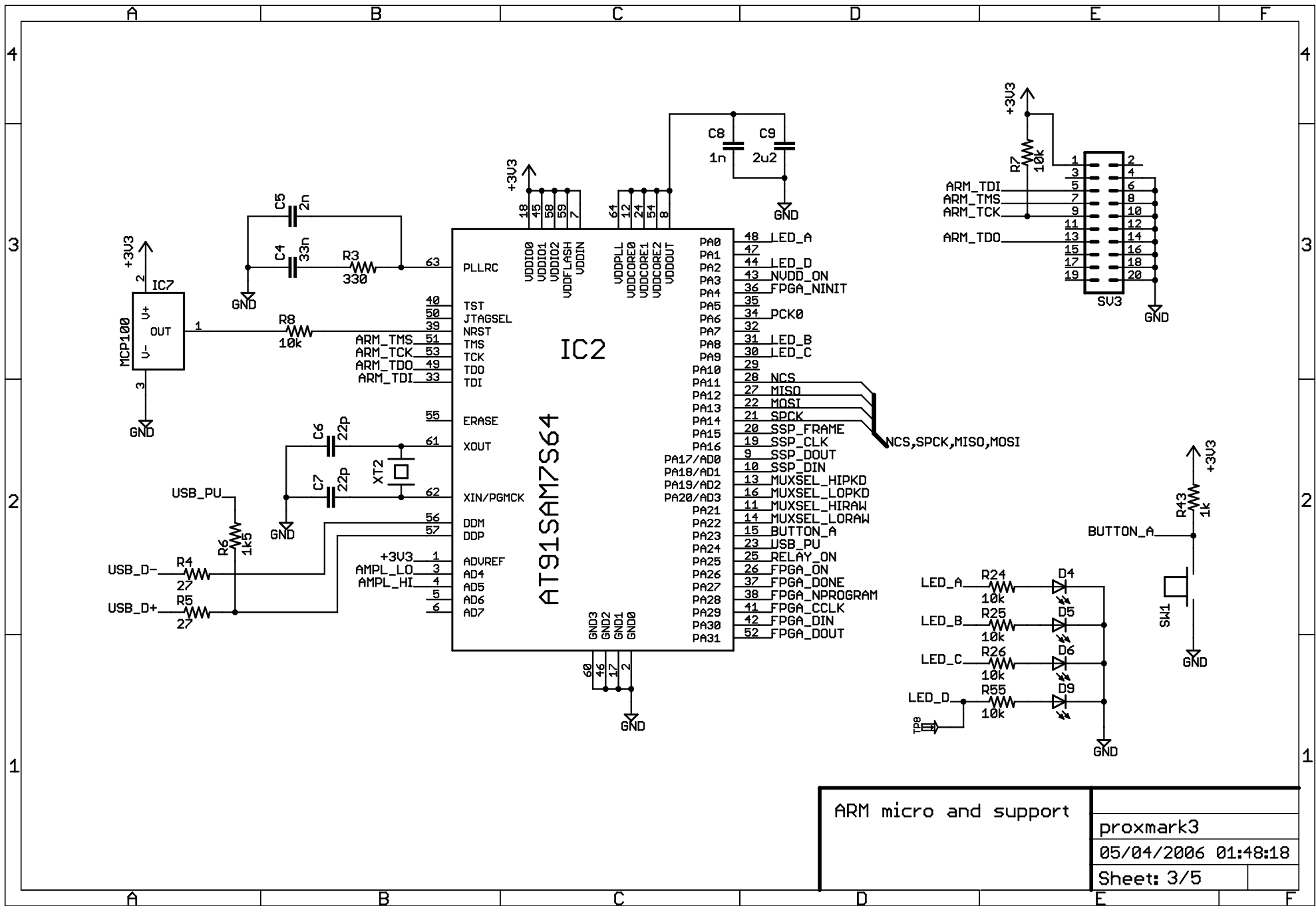


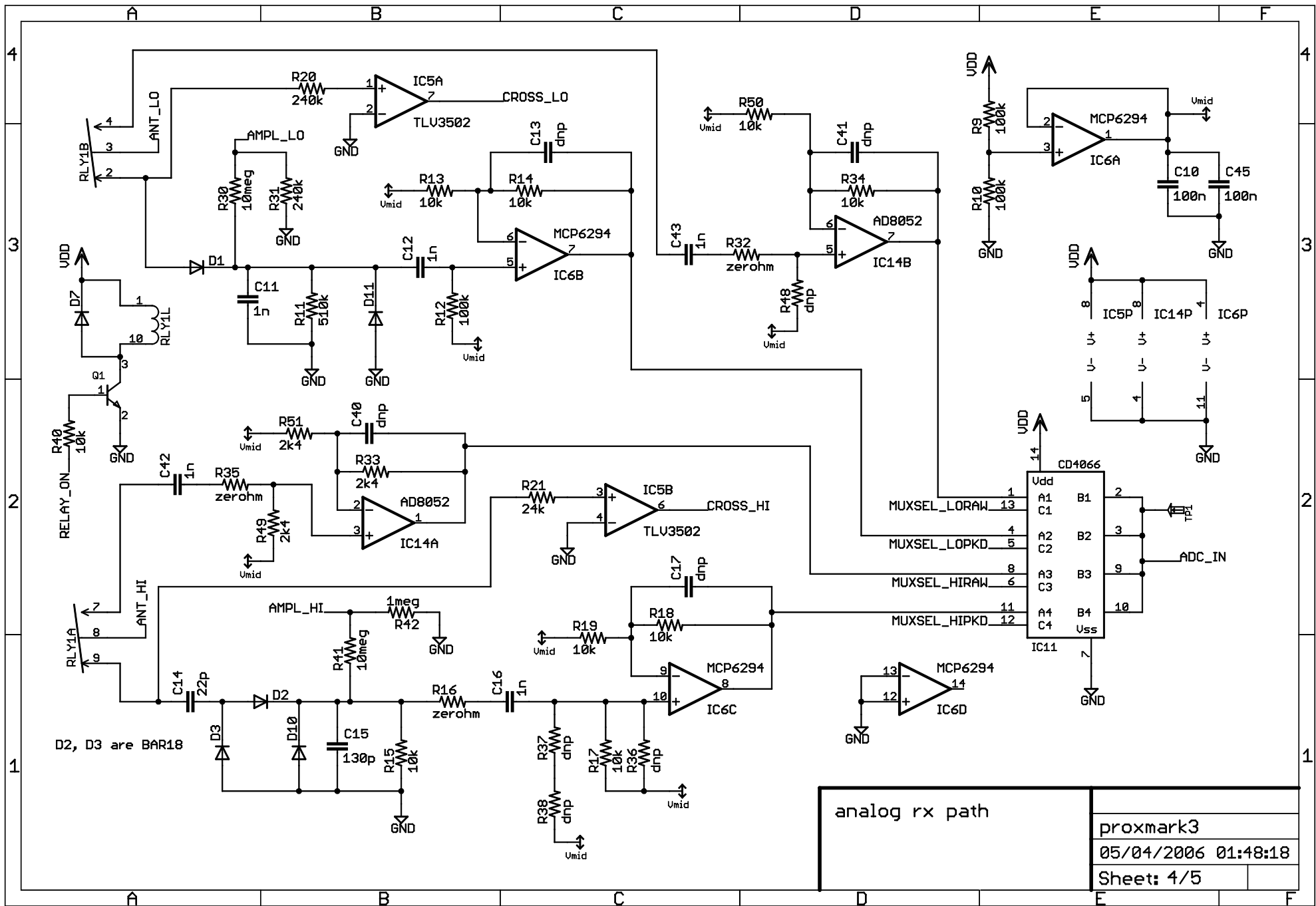
power and bypass	
proxmark3	
05/04/2006 01:48:18	
Sheet: 1/5	

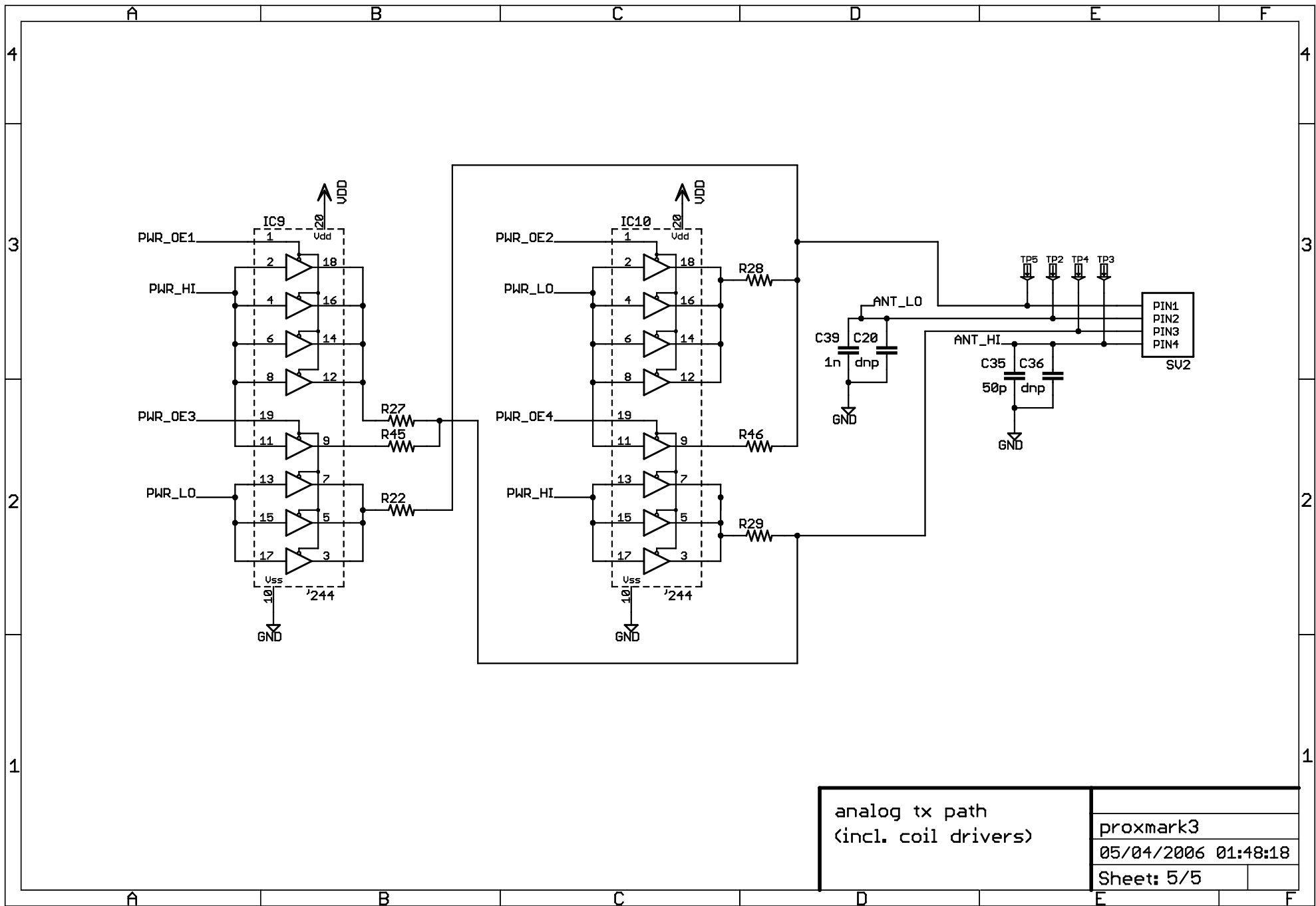


FPGA and ADC	
proxmark3	
05/04/2006 01:48:18	
Sheet: 2/5	



ARM micro and support	
proxmark3	
05/04/2006 01:48:18	
Sheet: 3/5	





analog tx path
(incl. coil drivers)

proxmark3
05/04/2006 01:48:18
Sheet: 5/5